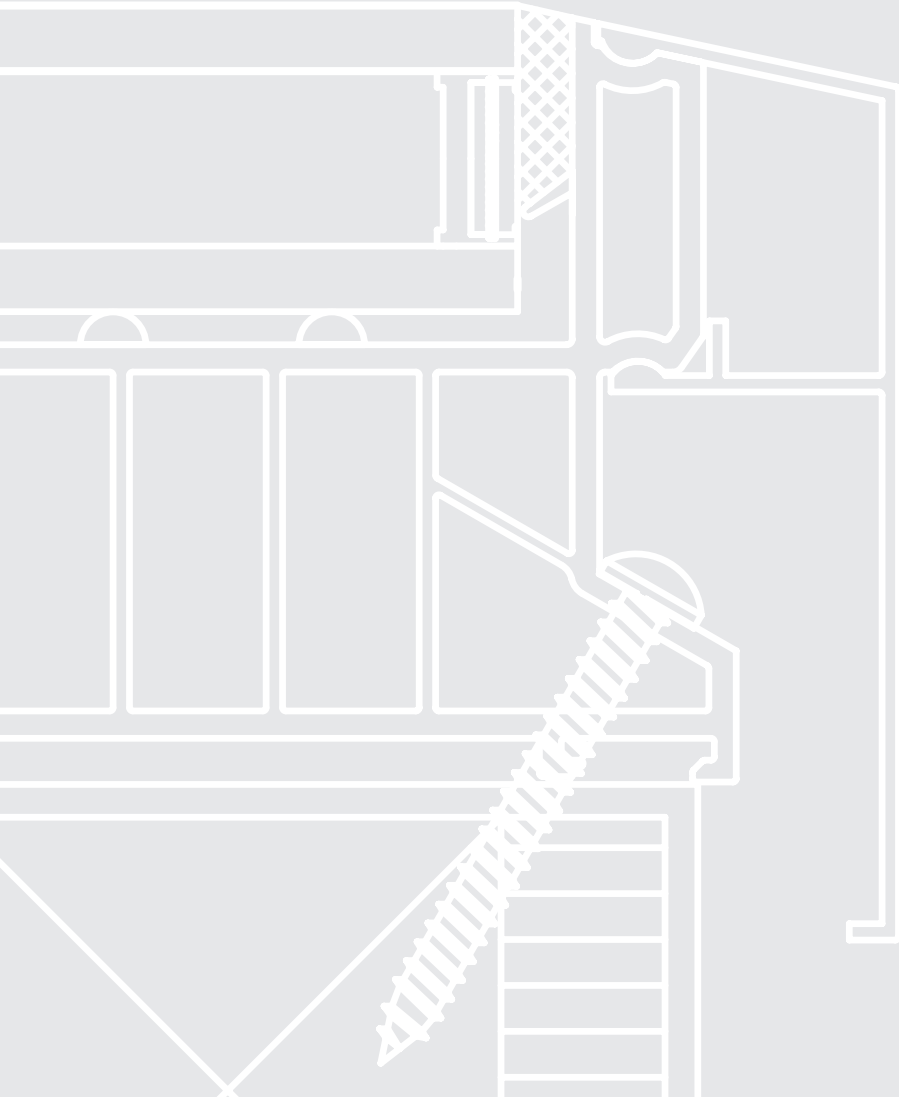


LUMINA DESIGN

ROOF LANTERN SOLUTIONS

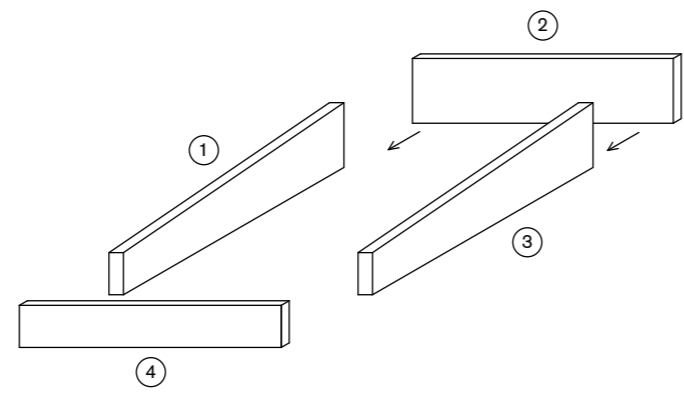
FLAT ROOFLIGHT



FLAT ROOFLIGHT **INSTALLATION MANUAL**

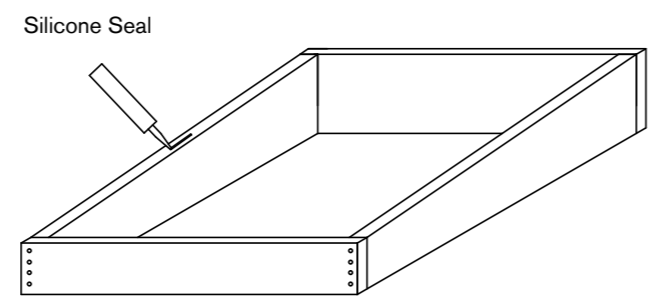


1 Lift external composite kerb onto the flat roof and fix together at the corners with screws.

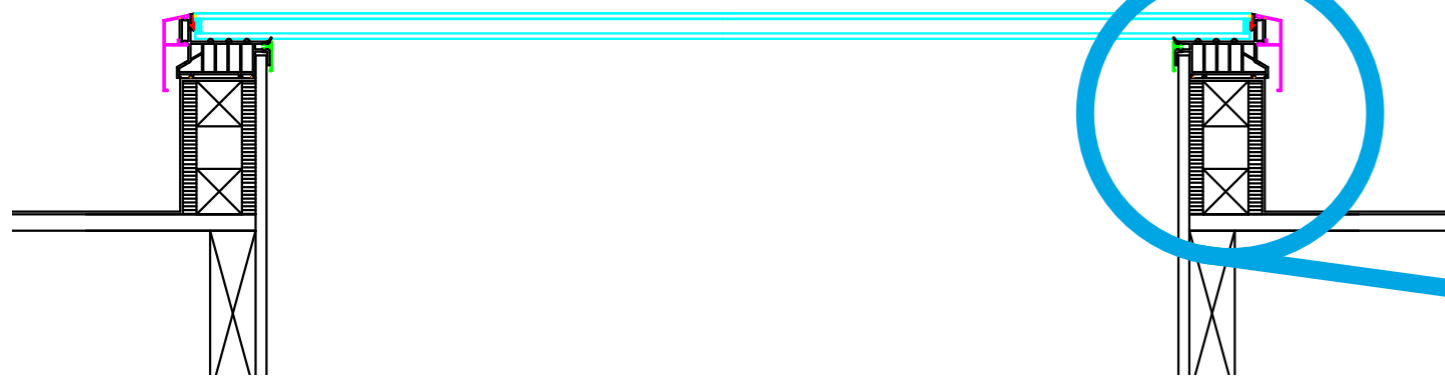


2 Once the external kerbs have been secured to the flat roof cover the kerbs with weatherproof membrane.

3 Before lifting the glazed rooflight onto the kerb structure, run a silicone seal on top of the kerb membrane.



4 Lift the glazed rooflight onto the top of the kerb, keeping an equal spacing around the perimeter.

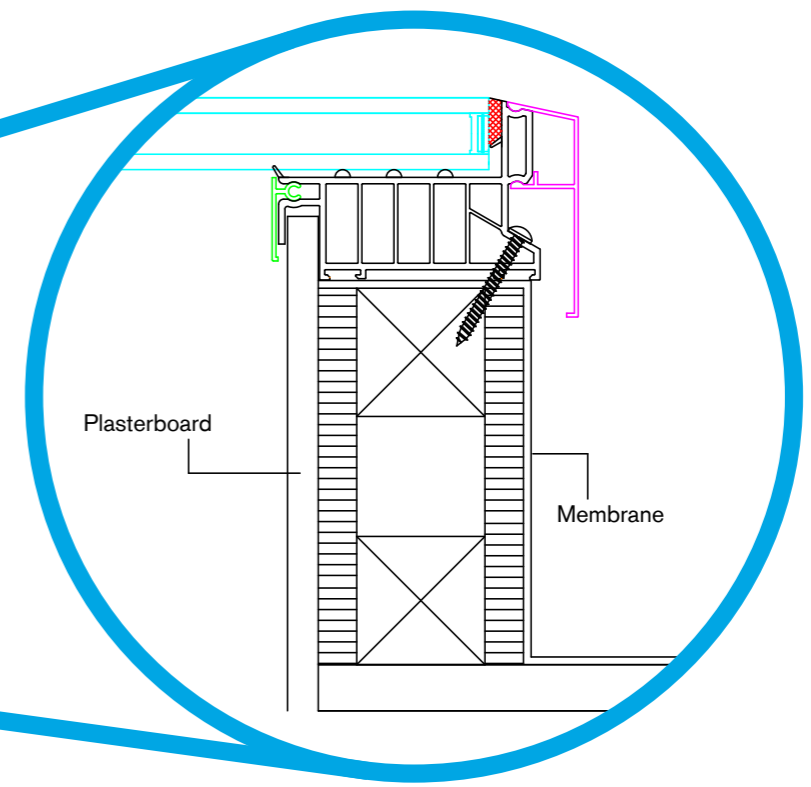
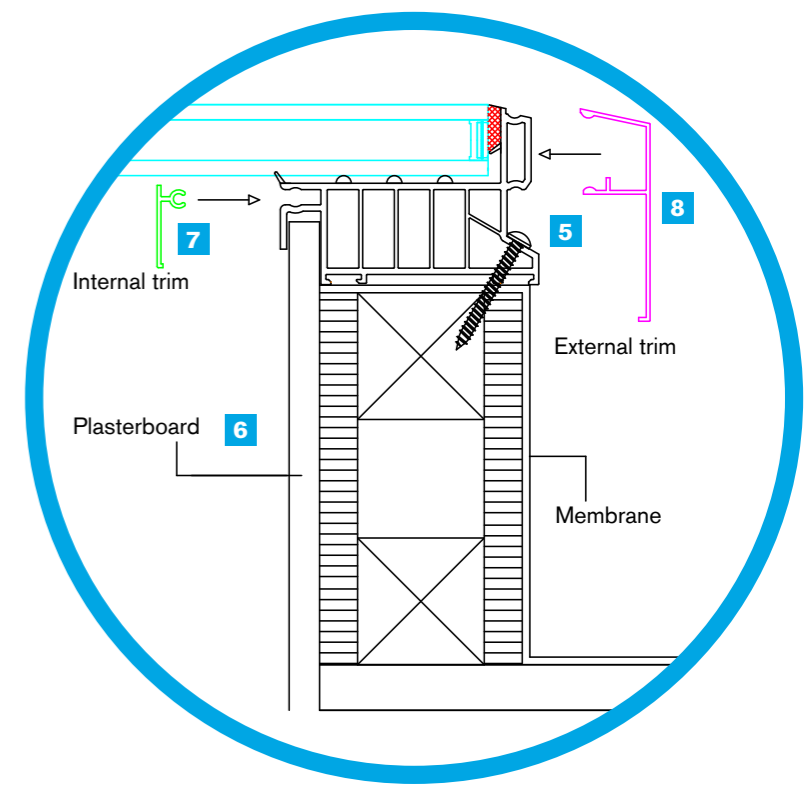


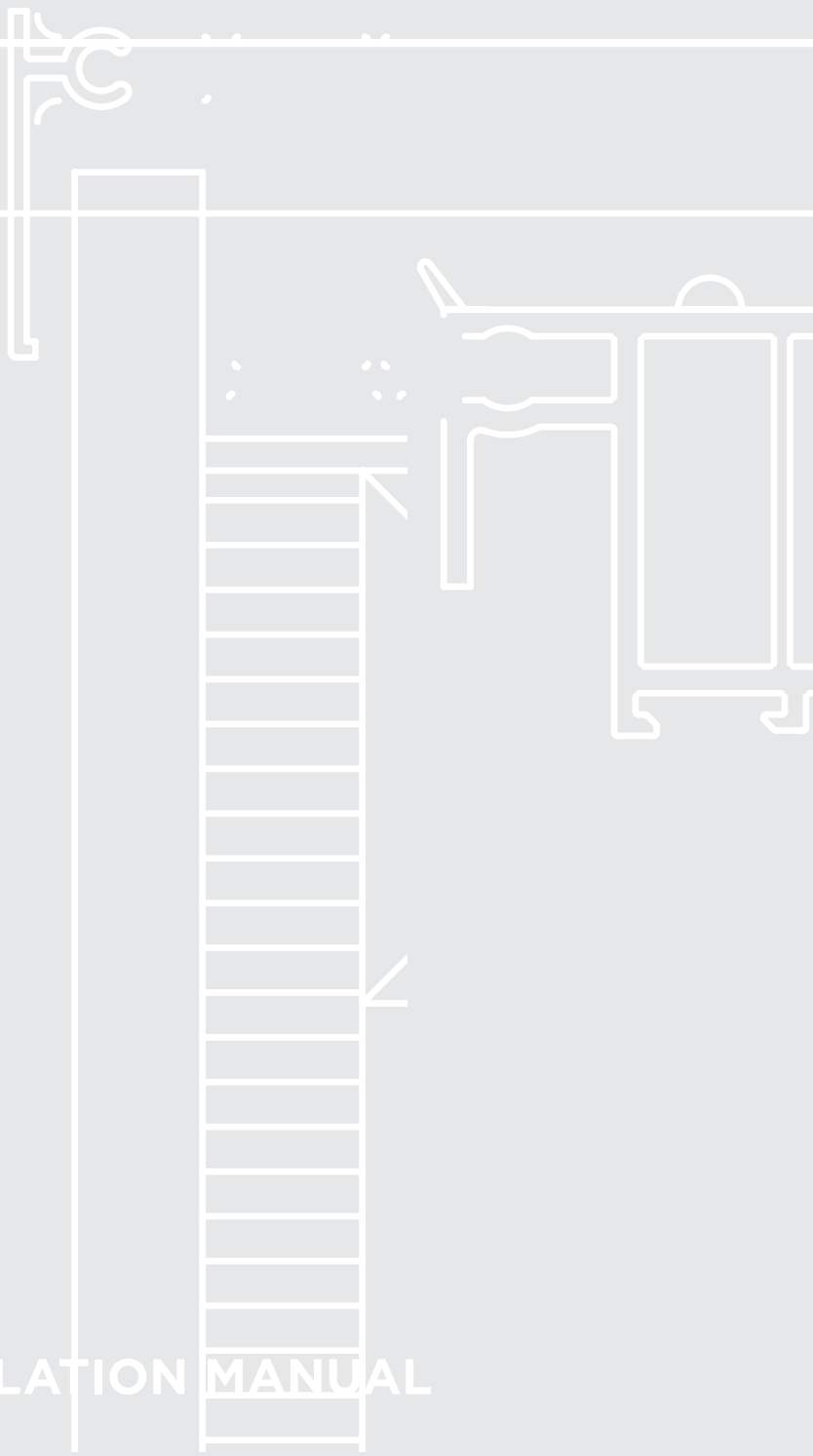
5 Once in place, screw through the rooflight outer frame into the kerb at 250mm centres. Make sure fixings are all secure.

6 After roof has been permanently secured, fix internal plasterboard into U channel slot on the internal perimeter of the rooflight.

7 Clip on the interior trims - fix the two tight trims first and the other adjacent trims between the fitted trims.

8 Fix the exterior trims around the perimeter of the rooflight using a rubber hammer if necessary.





FLAT ROOFLIGHT **INSTALLATION** MANUAL