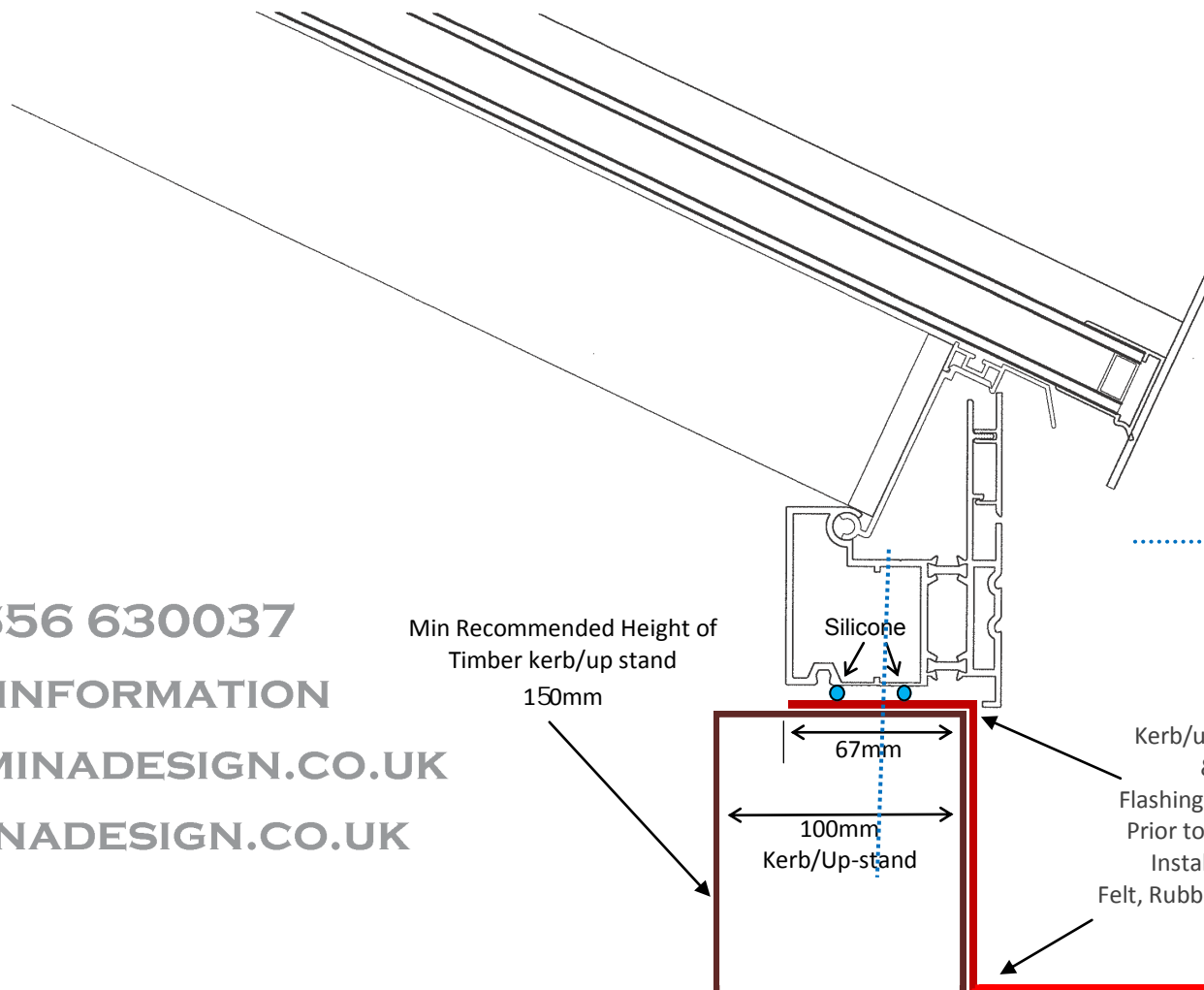


# LUMINA DESIGN

## ROOF LANTERN SOLUTIONS



CALL 01656 630037  
FOR MORE INFORMATION  
SALES@LUMINADESIGN.CO.UK  
WWW.LUMINADESIGN.CO.UK

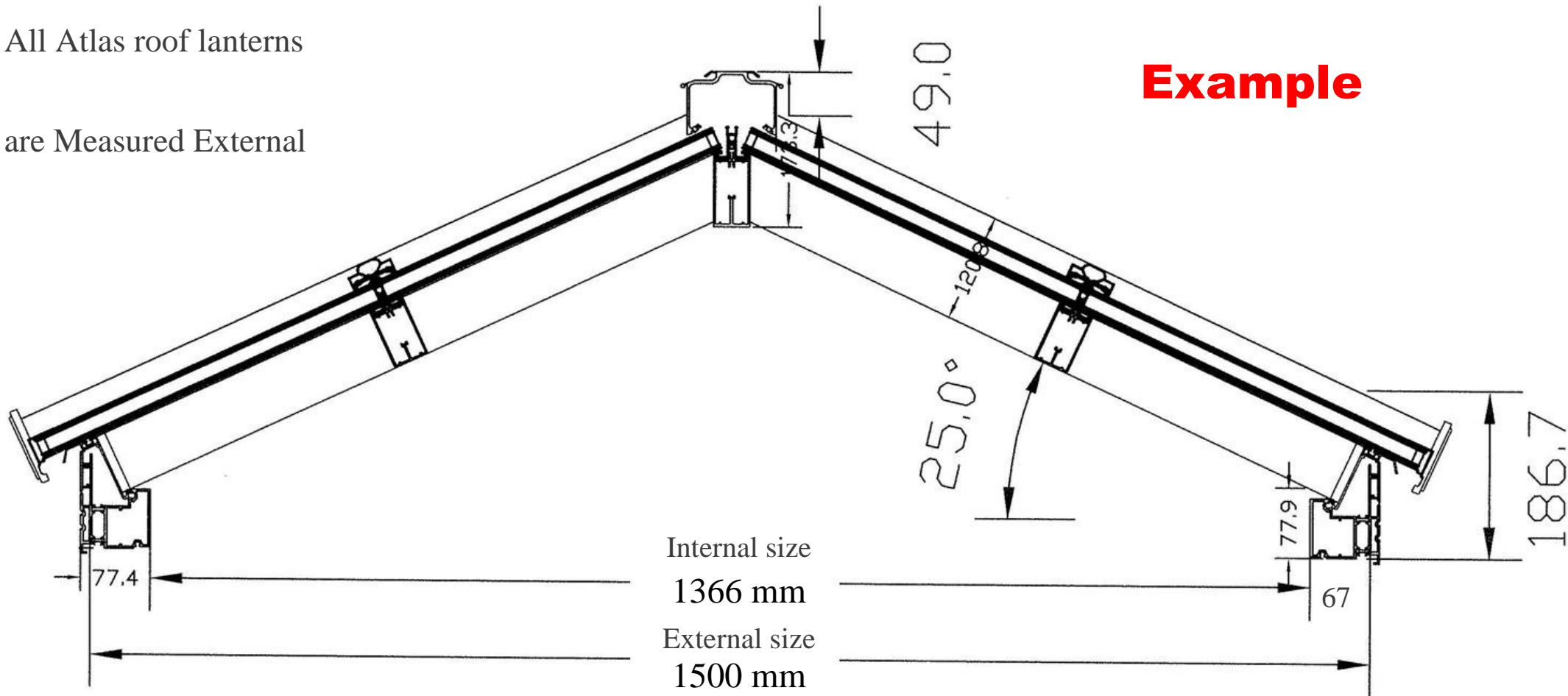
**NOTE!**  
ALL SLIMLINE  
LANTERNS ARE  
MEASURED  
EXTERNAL KERB

# LUMINA DESIGN

## ROOF LANTERN SOLUTIONS

All Atlas roof lanterns  
are Measured External

**Example**



The external measurement is the external finished kerb/upstand size